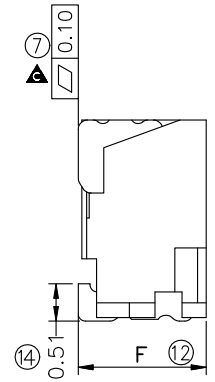
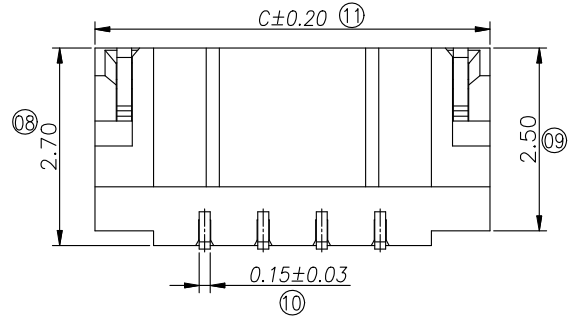
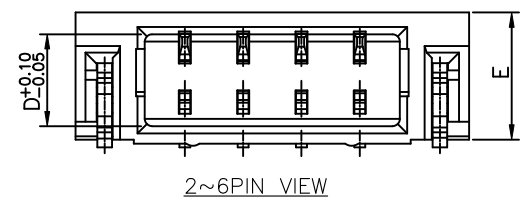
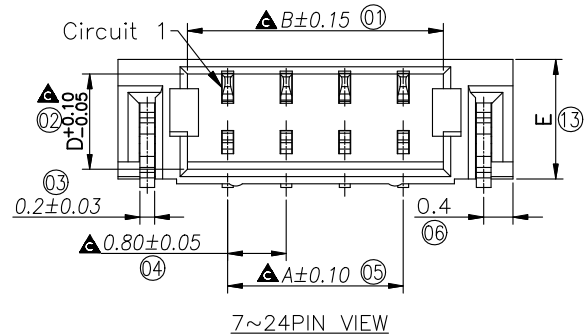
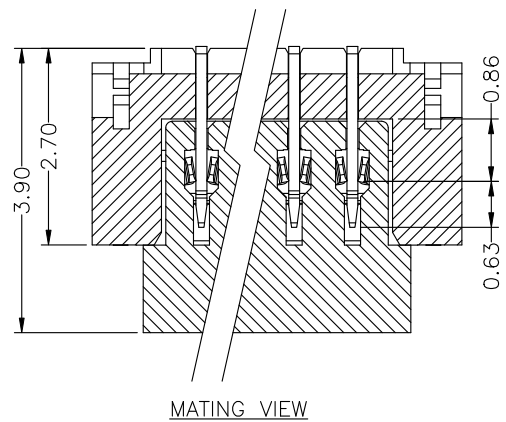
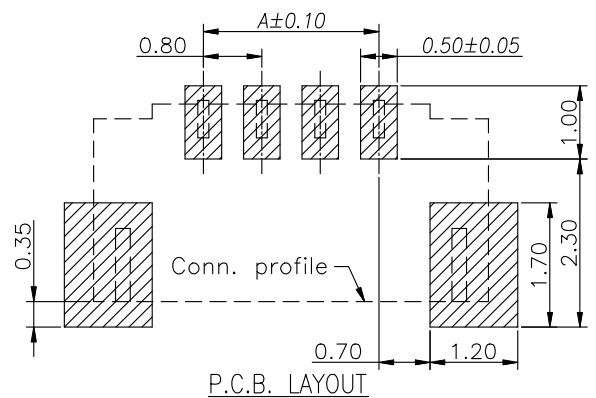
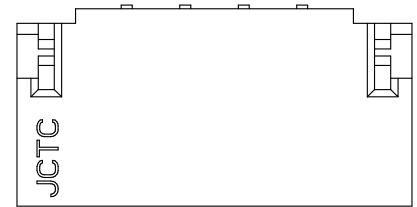


RoHS

HF

成品检验图



Specifications:
 Rated Voltage : 30V AC/DC
 Rated Current : 1A AC,DC
 Withstand Voltage : 200V AC/minute
 Contact Resistance : 30mΩ(MAX.)
 Insulation Resistance : 100MΩ(MIN.)
 Temperature Range : -25°C~+85°C

50801W90-NPX-S-XX-XX

① ② ③④⑤ ⑥ ⑦

- ① Series No.
- ② W90 : Side Contact
W00 : Up Contact A : Product color(A--Y)
- ③ No. of Circuits Blank : Natural type
- ④ A : Product color(A--Y)
Blank : Natural type
- ⑤ S: SMT Type
- ⑥ 5A: Pin Gold-flash
Solder Tabs Gold-flash
- ⑦ HF : Halogen Free

⊗ MARK IS FAI DIM. ▲ MARK IS MAJOR DIM.

	D	E	F
2pin~6pin	1.26	1.75	1.85
7pin~24pin	1.26	1.70	1.80

Dimensional Ordering Information:				
Circuits Part No	Dimensions			
	A	B	C	
2P		1.90	3.80	
3P	1.60	2.70	4.60	
4P	2.40	3.50	5.40	
5P	3.20	4.30	6.20	
6P	4.00	5.10	7.00	
7P	4.80	5.90	7.80	
8P	5.60	6.70	8.60	
9P	6.40	7.50	9.40	
10P	7.20	8.30	10.20	
11P	8.00	9.10	11.00	
12P	8.80	9.90	11.80	
13P	9.60	10.70	12.60	
14P	10.40	11.50	13.40	
15P	11.20	12.30	14.20	
16P	12.00	13.10	15.00	
17P	12.80	13.90	15.80	
18P	13.60	14.70	16.60	
19P	14.40	15.50	17.40	
20P	15.20	16.30	18.20	
21P	16.00	17.10	19.00	
22P	16.80	17.90	19.80	
23P	17.60	18.70	20.60	
24P	18.40	19.50	21.40	

D	增加2-6PIN 视图	Jimmy	5.28' 13	一般公差 TOLERANCE X.X= ±0.25 X.XX= ±0.15 X.XXX= ±0.08 ANG.= ±2°		设计 DESIGN	
C	增加对插剖视图	Jimmy	7.23' 12			审核 CHK.	
B	变更额定电流	Jimmy	4.23' 12			核准 APPD.	
版次 REV.	变更内容 DESCRIPTION	设计 DESIGN	日期 DATE	单位 UNIT: mm			

日期 DATE	料号 PART NO.	50801W90-NPA-S- 5A-HF
图号 DRAWING NO.	50801W90-NPA-S-5A-HF	
品名 TITLE	0.8mm pitch 90°WAFER CONN	

WJCT

苏州伟聚电子科技有限公司

比例 SCALE: 1:1 页码 SHEET: 1/1 版次 REV: A